



# MF10B Series

## Ultra Small Optical Connector with Bayonet Lock



### ■ Features

1. Small optical connector with innovative bayonet lock
2. Water resistant (IP67) and vibration resistant suitable for harsh environments
3. High reliability with secure mating structure and rubber casing
4. Easy access to ferrule for cleaning
5. Light weight, high-strength flexible MIL cable is available
6. Clamped and sealed easily by tightening ring
7. Many product variations (Attachment styles and cable types)
8. RoHS compliant

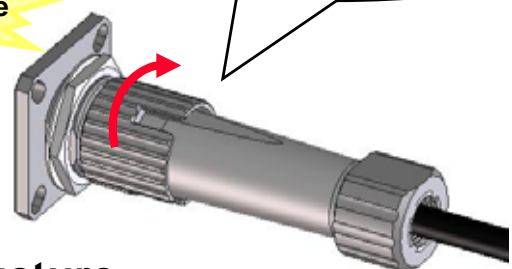
### ■ Innovative Bayonet Lock

Compared with screw lock type...

- No torque management
- No connector breakage by over-tightening the screw.

Clear tactile  
click!!

Mating and unmating is  
completed by just  
rotating the sleeve.

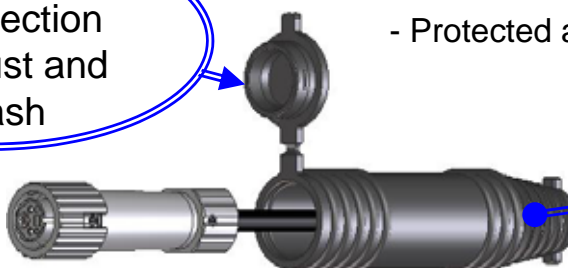


### ■ High Reliability, Secure Mating Structure, and Rubber Hood

#### Integrated Cap

for protection  
from dust and  
splash

- Plug is not exposed to external environment, preventing corrosion.
- Protected against drop impact



Strain relief  
reduces the stress  
from cable bend





Specifications herein are subject to change without notice. Contact Hirose for latest specifications, drawings or availabilities.

# MF10B Series



ITS-P-08011F

## Varieties

### Receptacle

	Screw Type (Oval figure holes accept the screw pitch from 18 mm to 20 mm.)	Hexagon Nut Type (Receptacle inserts from back side.)
Fiber	 MF10B-WRF01-0200	 MF10B-WRB01-0200
Cord	 MF10B-WRFC01-0200	 MF10B-WRBC01-0200
In-line Jack	Cable Dia: $\phi 5$ mm  MF10B-WJ5C01-0200	Cable Dia: $\phi 6.5$ mm  MF10B-WJ6.5C01-0200

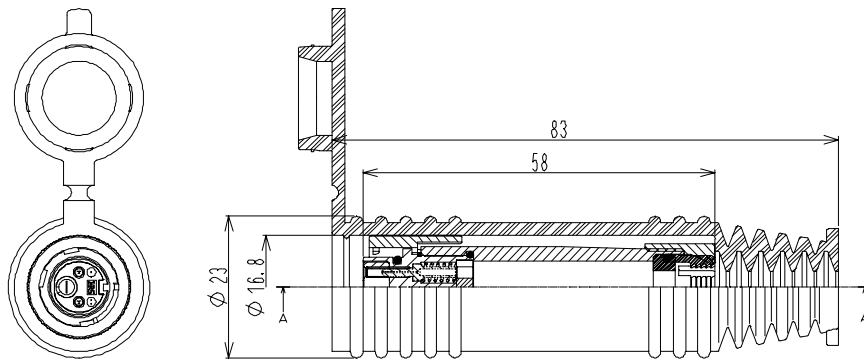
### Plug

Cable Dia: $\phi 5$ mm  MF10B-WP5C01-0200
Cable Dia: $\phi 6.5$ mm  MF10B-WP6.5C01-0200

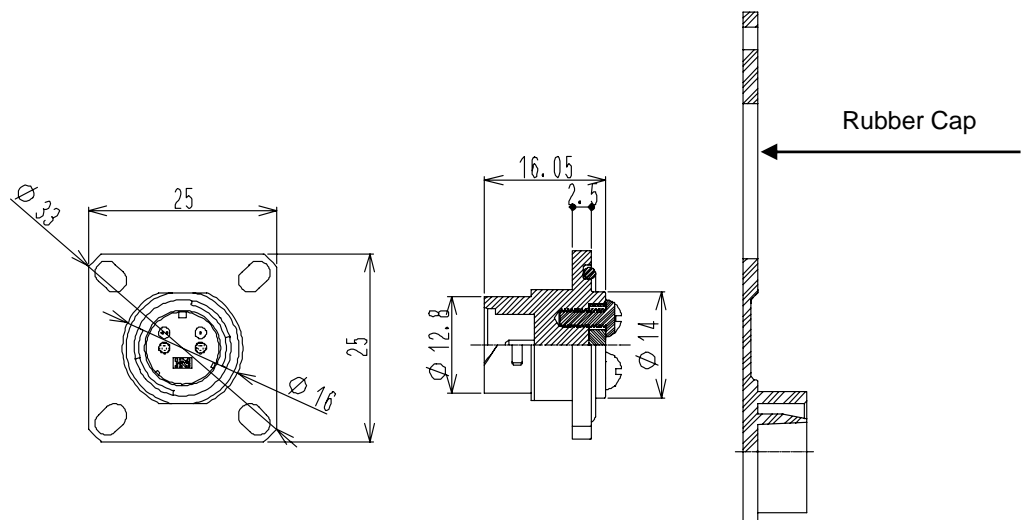
NOTE: Chrome plating is also available for harsh environment use.

## Dimensions

Plug  
(With rubber hood)



Receptacle  
(Screw type)



"Standard MU ferrule" is applicable, which is separately available.

Specifications herein are subject to change without notice. Contact Hirose for latest specifications, drawings or availabilities.

## MF10B Series

ITS-P-08011F

### Light Weight and Robust Flexible Cable

#### Features

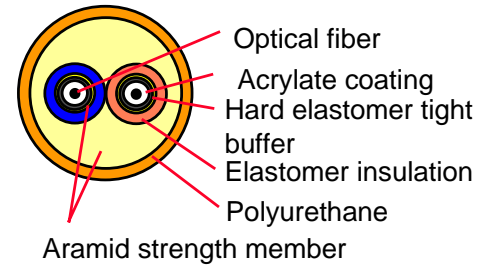
- Robust & durable cable: designed for outdoor use.
- Easy to handle: small, light and flexible

#### MF10B Recommended Cable

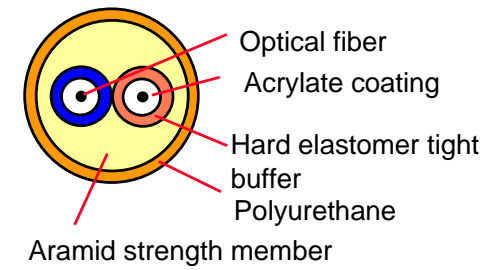
Manufactured by OPTICAL CABLE Corporation

	RoHS	Flame Resistance	Halogen-Free	Cable Type	Fiber Type
Military Cable	✓	N/A	N/A	B Type: $\phi$ 6.5 dia. $\phi$ 2 code x 2	Single-Mode (SM)
					Multi-Mode (MM)
				D Type: $\phi$ 5 dia. $\phi$ 0.9 buffered fiber x 2	Single-Mode (SM)
					Multi-Mode (MM)
HS-FR Cable	✓	IEC60332-1	✓	B Type: $\phi$ 6.5 dia. $\phi$ 2 code x 2	Single-Mode (SM)
					Multi-Mode (MM)
				D Type: $\phi$ 5 dia. $\phi$ 0.9 buffered fiber x 2	Single-Mode (SM)
					Multi-Mode (MM)

B type



D type



### Specifications

#### Material and Finish

COMPONENT	MATERIAL	FINISH/REMARKS
Housing	Zinc die-casting	Nickel plated / Chrome plated
Stopper	Synthetic resin	UL94V-0
Rubber hood	Synthetic rubber	-
Spring	Piano wire	Zinc plated
Split sleeve	Zirconia	-

#### Performance Characteristics

Operating Temperature	-40°C to +85°C
Insertion loss	SM: 1.0 dB MAX. (Typical 0.2 dB) GI: 0.5 dB MAX. (Typical 0.1 dB) at wavelength of 1310±20 nm (LED)
Mechanical durability	5,000 times
Water resistance	IP 67 compliant

Specifications herein are subject to change without notice. Contact Hirose for latest specifications, drawings or availabilities.