

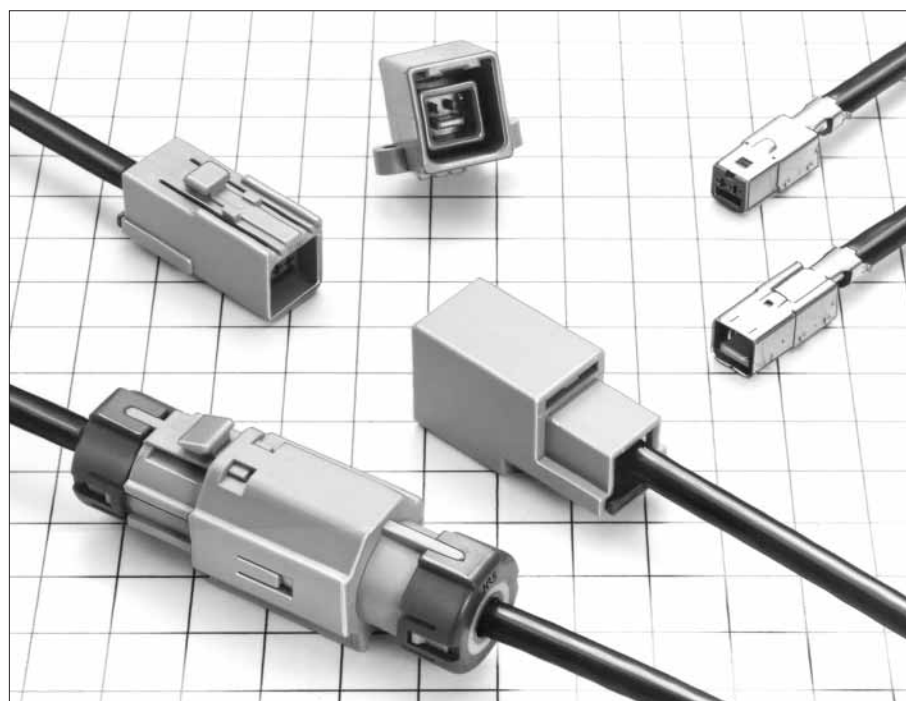
Coaxial cable connection of Antennas, Sensors, and Communication Trunk Lines

Termination of coaxial cables in automotive, medical and instrumentation applications utilizes a single motion to crimp the center conductor, shield and outer insulation.

GT14 Series

— Connectors for coaxial cables —

<Several types and configurations: In-line, board mounted, water-proof>



■ Features

- The signal lines use pressure welding wiring and the shielded braid uses crimp wiring to permit batch wiring which enables a great reduction in the number of tasks.
- All surface shielded construction.

■ Applications

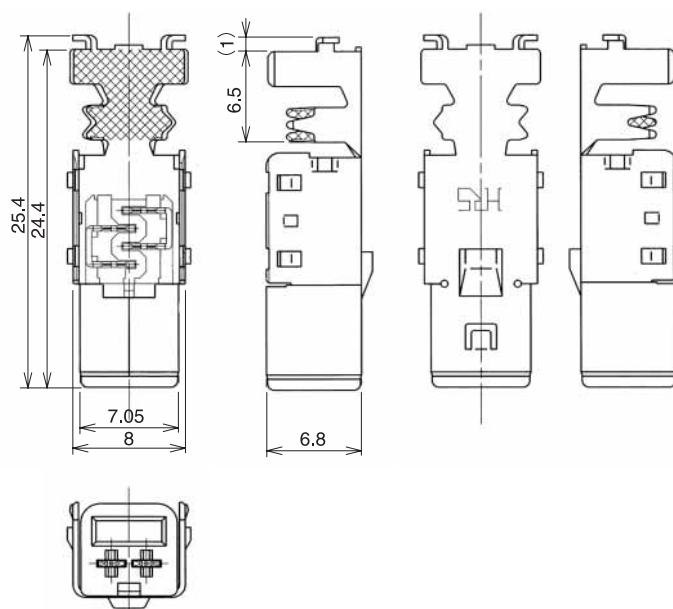
In-car LAN, sensors, etc.

GT14 Series

Terminals for 2-Conductor Shielded Cable

F Connectors

● F Terminals

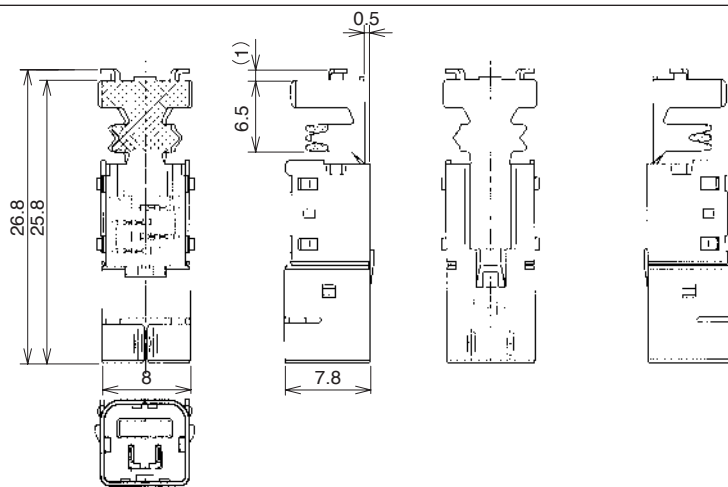
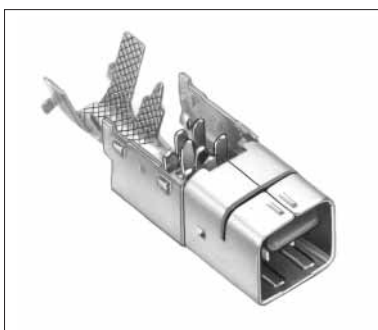


Part Number	CL No.	Wire Size	Inner Insulation Diameter	Outer Diameter	RoHS
GT14-20/3.8-4.8SC(70)	764-0013-9-70	0.5 mm ²	3.5 to 3.7 mm	4.6 to 5.0	YES
GT14-22/3.4-4.4SC(70)	—	0.3 mm ²	3.1 to 3.3 mm	4.2 to 4.6	

Item	Material	Finish	Color
Insulator	PBT	—	Dark gray
IDC Terminal	Beryllium Copper	Tin plating	—
Outer Terminal	Brass	Tin plating	—

M Terminals

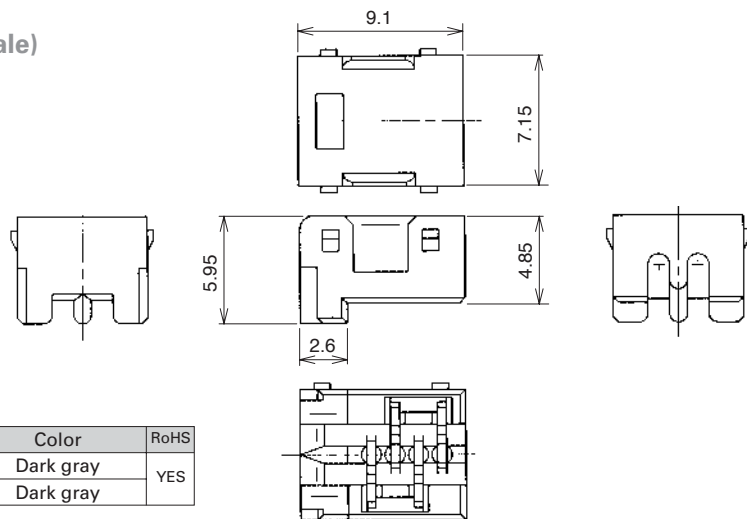
● M Terminals



Part Number	CL No.	Wire Size	Inner Insulation Diameter	Outer Diameter	RoHS
GT14-20/3.8-4.8PC(70)	764-0012-6-70	0.5 mm ²	3.5 to 3.7 mm	4.6 to 5.0	YES
GT14-22/3.4-4.4PC(70)	—	0.3 mm ²	3.1 to 3.3 mm	4.2 to 4.6	

Item	Material	Finish	Color
Insulator	PBT	—	Dark gray
IDC Terminal	Beryllium Copper	Tin plating	—
Outer Terminal	Brass	Tin plating	—

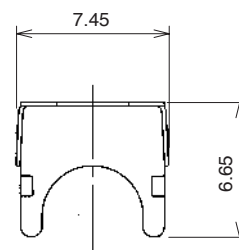
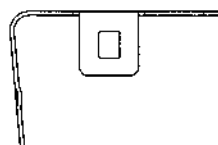
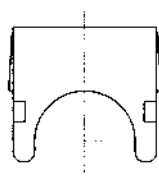
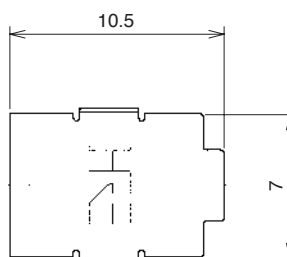
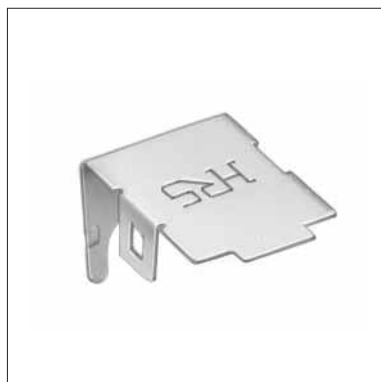
● Protectors (Used with both male and female)



Part Number	CL No.	Outer Diameter	Material	Color	RoHS
GT14-1.3PT	764-0007-6	1.3 mm	PBT	Dark gray	YES
GT14-1.1PT	—	1.1 mm	PBT	Dark gray	

Coaxial cable connection of Antennas, Sensors, and Communication Trunk Lines
 GT 5
 GT 13
 GT 16
 PO5G
 GT 11
 GT 14
 GT 17
 GT 19
 GT 3
 GT 6W
 GT 7
 GT 10
 GT 18W
 GT 15
 GT 8
 GT 9
 GT 25

● Shield Cover (Used with both male and female)



Part Number	CL No.	Material	Finish	RoHS
GT14-SB	764-0006-3	Brass	Tin plating	YES

* Use of this product provides better shielding effectiveness.

■ Applicable Cable

Manufacturer	Name	Wire size	Remarks
Hitachi Cable, Ltd.	CAVUS-SW2 X 0.5 mm ² Hitachi Part Number SP60-12637	0.5mm ²	—
Hitachi Cable, Ltd.	CAVUS-VX-SW2 X 0.5 mm ² Hitachi Part Number SP60-12667Y	0.5mm ²	Heat resistant cable for water proof connector

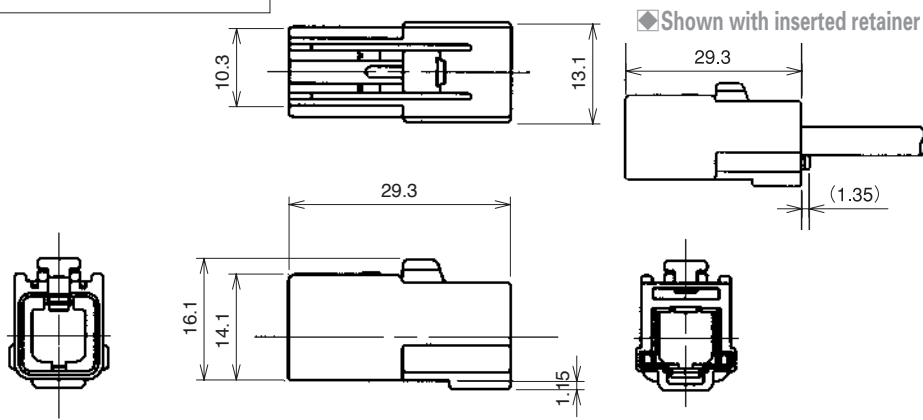
Coaxial cable connection of Antennas, Sensors, and Communication Trunk Lines
GT 5
GT 13
GT 16
PO5G
GT 11
GT 14
GT 17
GT 19
GT 3
GT 6W
GT 7
GT 10
GT 18W
GT 15
GT 8
GT 9
GT 25

GT14 Series

For Double-Conductor coaxial shielded cable

F Connectors

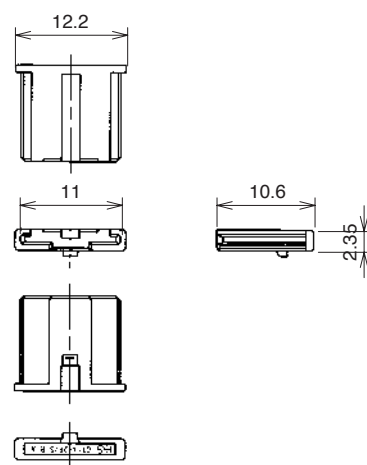
● Housing



Part Number	CL No.	Material	Color	RoHS
GT14-2S-HU	764-0009-1	PBT	Light gray	YES

Used with separate retainer.

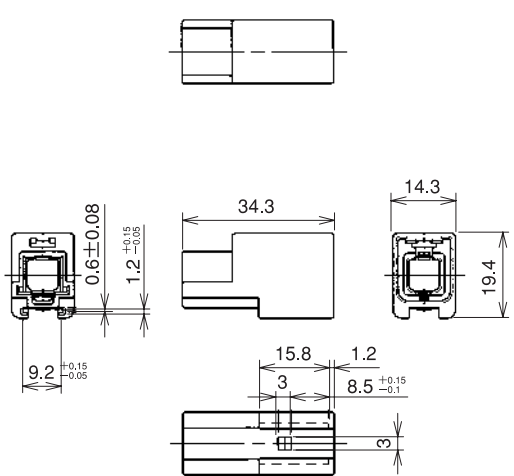
● Retainer (Used with GT14-2S-HU and GT14-2PP-HU)



Part Number	CL No.	Material	Color	RoHS
GT14-2P/S-R	764-0010-0	PBT	Dark gray	YES

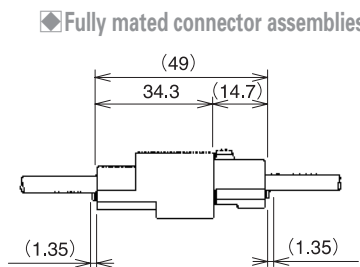
M Connectors

● Housing

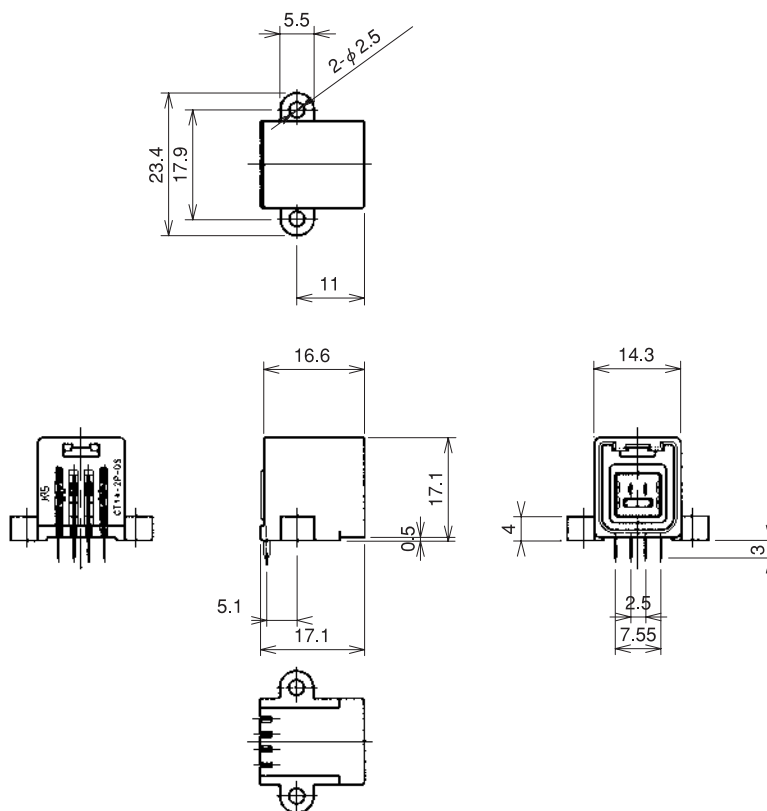


Part Number	CL No.	Material	Color	RoHS
GT14-2PP-HU	764-0008-9	PBT	Light gray	YES

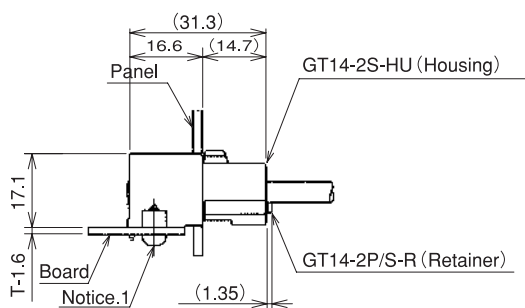
Used with separate retainer.



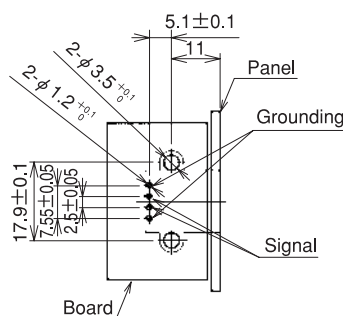
● Printed Circuit Board Type



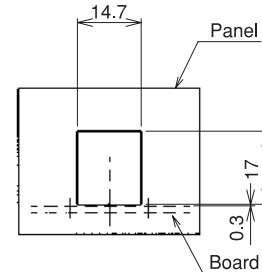
◆ Fully mated connector assemblies



◆ Recommended PCB Mounting Pattern



◆ Recommended Panel Cut-out



Part Number	CL No.	Item	Material	Finish	Color	RoHS
GT14-2P-DS(70)	764-0011-3-70	Housing	PBT	—	Light gray	YES
		Signal Terminal	Brass	Tin plating	—	
		Outer Terminal	Copper alloy	Tin plating	—	

Note 1: Use class 2 JIS B1115 and 1122 mounting screws and diameter 3, length 6 (for a board thickness of 1.6mm)

- Coaxial cable connection of Antennas, Sensors, and Communication Trunk Lines
- GT 5
- GT 13
- GT 16
- PO5G
- GT 11
- GT 14**
- GT 17
- GT 19
- GT 3
- GT 6W
- GT 7
- GT 10
- GT 18W
- GT 15
- GT 8
- GT 9
- GT 25

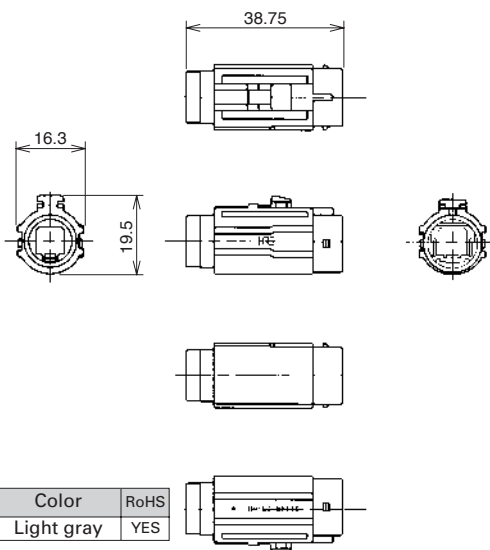
Coaxial cable connection of Antennas, Sensors, and Communication Trunk Lines
GT 5
GT 13
GT 16
PO5G
GT 11
GT 14
GT 17
GT 19
GT 3
GT 6W
GT 7
GT 10
GT 18W
GT 15
GT 8
GT 9
GT 25

GT14 Series

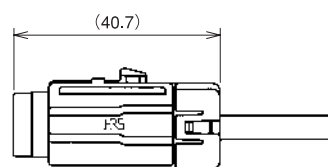
Double-Conductor Coaxial Cable - Waterproof Type

F Connector

Housing



◆ Shown with inserted retainer

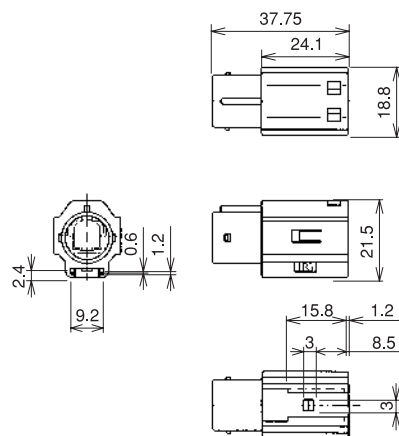


Part Number	CL No.	Material	Color	RoHS
GT14W-2S-HU	764-0002-2	PBT	Light gray	YES

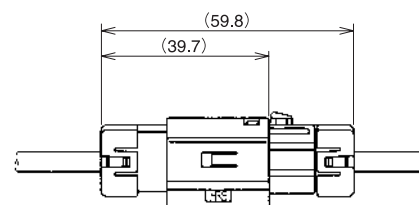
Used with separate retainer.

M Connector

Housing



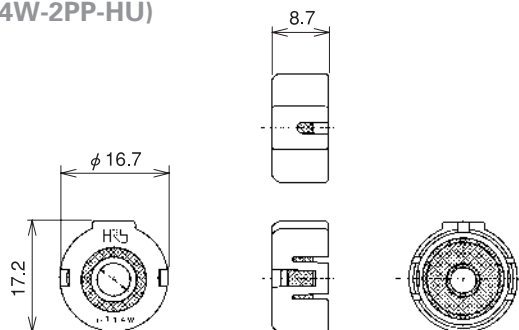
◆ Fully mated connector assemblies



Part Number	CL No.	Item	Material	Finish	RoHS
		GT14W-2PP-HU	764-0001-0	Housing	
		Connector Seal	Silicon rubber	White	

Used with separate retainer.

Retainer (used with GT14W-2S-HU and GT14W-2PP-HU)



Part Number	CL No.	Item	Material	Finish	RoHS
		GT14W-1P/S-4.8R	764-0003-5	Retainer	
		Wire seal	Silicon rubber	Light blue	

Note 1. This product suits cable outside diameters of 4.7 to 4.9 mm.

Note 2. Waterproof qualities depend on aspects of the cable. Please contact us when you will be using cable other than that recommended by Hirose Electric.