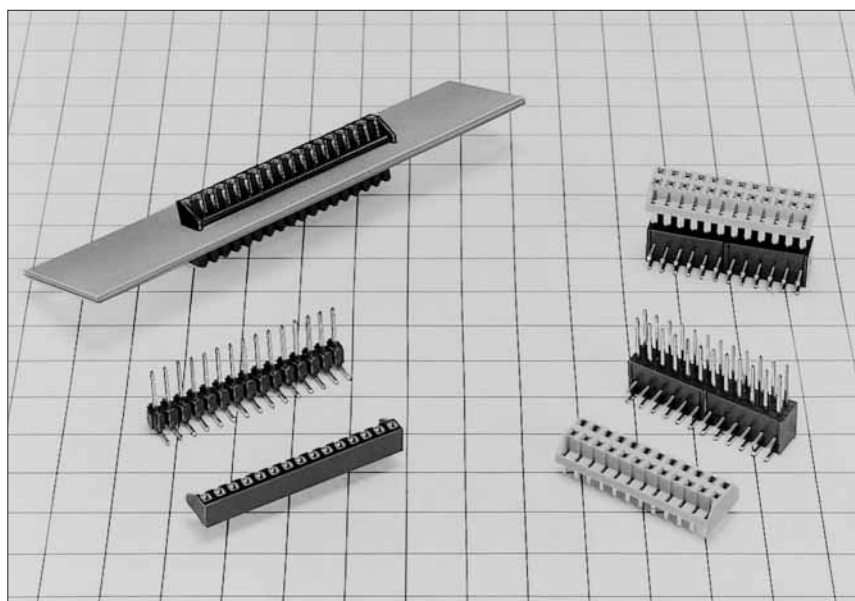


Connections of the Various Units and Device Interiors

GT9 Series

**Developed for Equipment
Exposed to Harsh Environmental Conditions**

<12 Pos., 15 Pos., 16 Pos., 18 Pos., 19 Pos., and 25 Pos.>



■ Features

- Bottom entry type
- High-pressure type with dimple processing at contact portion
- Flux prevention processing specification also available.* (Specification 75)

* Flux prevention processing: The hole connector is immersed in a flux prevention processing liquid and the surface is coated to prevent flux wicking.

Custom orders of other numbers of Pos. can be accommodated.

■ Applications

Automotive equipment, IPM, and IGBT.

GT 5

GT 13

GT 16

PO5G

GT 11

GT 14

GT 17

GT 19

GT 3

GT 6W

GT 7

GT 10

GT 18W

GT 15

GT 8

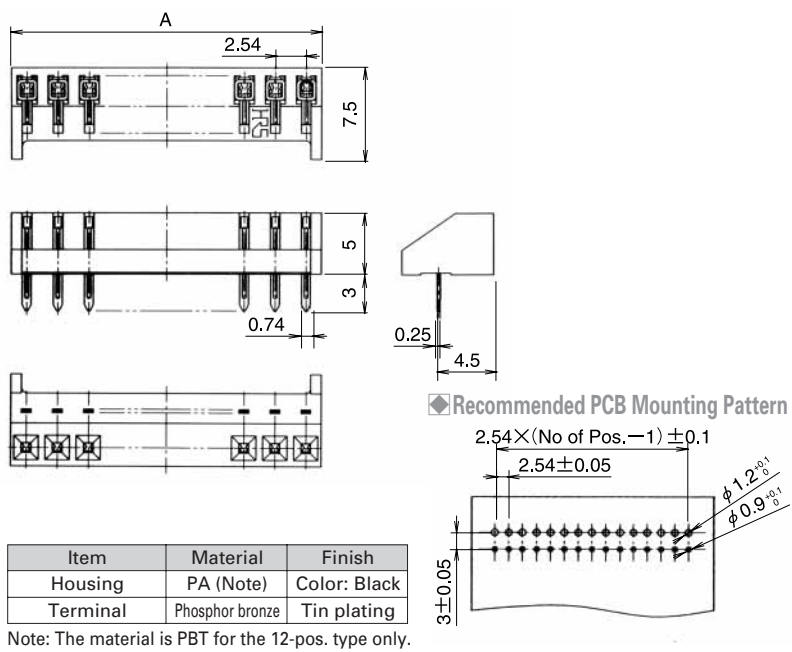
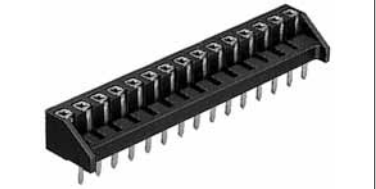
GT 9

GT 25

- GT 5
- GT 13
- GT 16
- PO5G
- GT 11
- GT 14
- GT 17
- GT 19
- GT 3
- GT 6W
- GT 7
- GT 10
- GT 18W
- GT 15
- GT 8
- GT 9
- GT 25

Single-Row Type

F Connectors



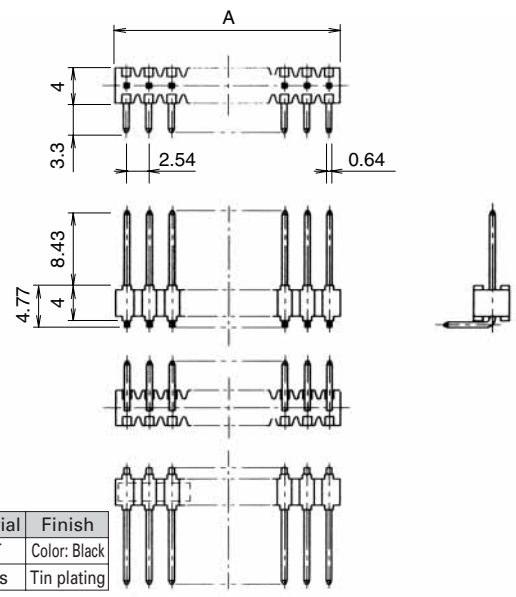
Part Number	CL No.	Number of positions	A dimension	Remarks	RoHS
GT9-12S-2.54DSA (70)	759-0011-8-70	12	30.48		YES
GT9-12S-2.54DSA (75)	759-0011-8-75			Flux prevention finish	
GT9-15S-2.54DSA (70)	759-0001-4-70	15	38.1		
GT9-15S-2.54DSA (75)	759-0001-4-75			Flux prevention finish	
GT9-16S-2.54DSA (70)	759-0008-3-70	16	40.64		
GT9-16S-2.54DSA (75)	759-0008-3-75			Flux prevention finish	
GT9-18S-2.54DSA (70)	759-0002-7-70	18	45.72		
GT9-18S-2.54DSA (75)	759-0002-7-75			Flux prevention finish	
GT9-19S-2.54DSA (70)	759-0009-6-70	19	48.26		
GT9-19S-2.54DSA (75)	759-0009-6-75			Flux prevention finish	
GT9-25S-2.54DSA (70)	759-0006-8-70	25	63.5		
GT9-25S-2.54DSA (75)	759-0006-8-75			Flux prevention finish	

Item	Material	Finish
Housing	PA (Note)	Color: Black
Terminal	Phosphor bronze	Tin plating

Note: The material is PBT for the 12-pos. type only.

M Connectors

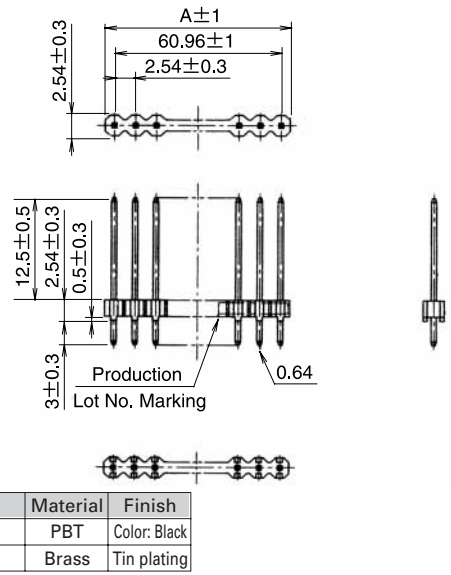
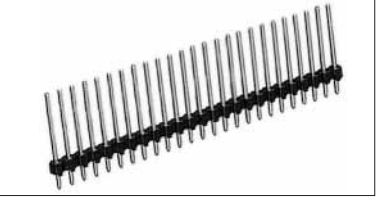
Right-angle Type



Part Number	CL No.	Number of positions	A dimension	Remarks	RoHS
GT9-12P-2.54DS (70)	759-0012-0-70	12	30.48		YES
GT9-12P-2.54DS (75)	759-0012-0-75			Flux prevention finish	
GT9-15P-2.54DS (70)	759-0004-2-70	15	38.1		
GT9-15P-2.54DS (75)	759-0004-2-75			Flux prevention finish	
GT9-18P-2.54DS (70)	759-0005-5-70	18	45.72		
GT9-18P-2.54DS (75)	759-0005-5-75			Flux prevention finish	
GT9-25P-2.54DS (70)	759-0007-0-70	25	63.5		
GT9-25P-2.54DS (75)	759-0007-0-75			Flux prevention finish	

Item	Material	Finish
Housing	PBT	Color: Black
Terminal	Brass	Tin plating

Straight Type



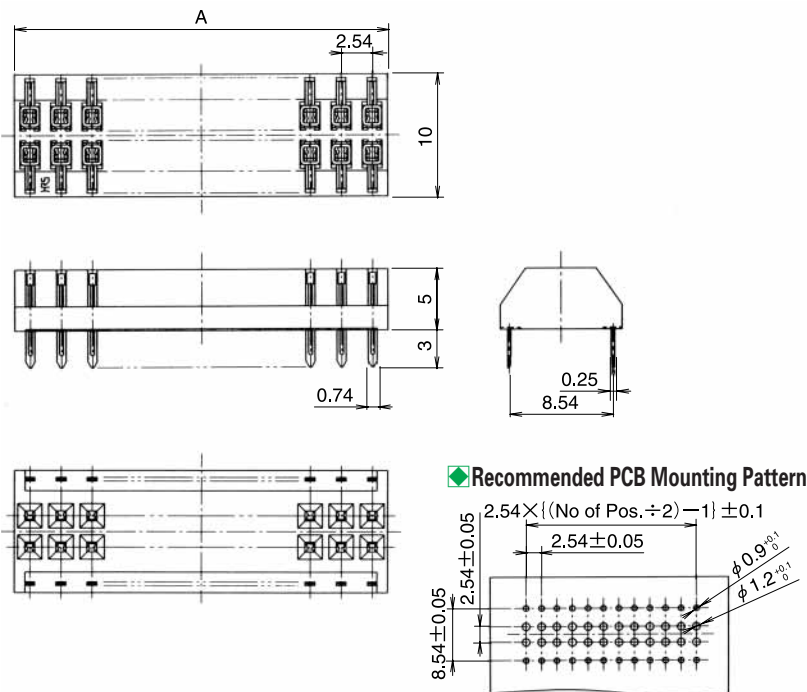
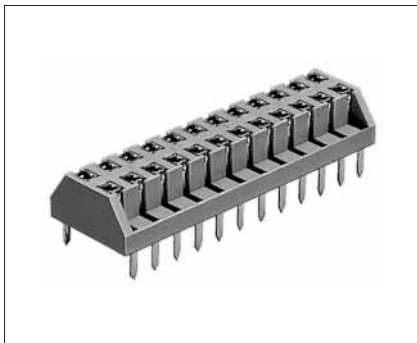
Part Number	CL No.	Number of positions	A dimension	Remarks	RoHS
GT9P-12P-2.54DSA (70)	759-0014-6-70	12	30.48		YES
GT9P-12P-2.54DSA (75)	759-0014-6-75		30.48	Flux prevention processing	
GT9P-12P-2.54DSA (71)	759-0014-6-71		30.48	Flux prevention processing, with locator, cost effective item	
GT9P-12P-2.54DSA (72)	759-0014-6-72	16	30.48	Flux prevention processing, with locator	
GT9P-16P-2.54DSA (70)	759-0015-9-70		40.64		
GT9P-16P-2.54DSA (75)	759-0015-9-75		40.64	Flux prevention processing	
GT9P-16P-2.54DSA (71)	759-0015-9-71	19	40.64	Flux prevention processing, with locator, cost effective item	
GT9P-16P-2.54DSA (72)	759-0015-9-72		40.64	Flux prevention processing, with locator	
GT9P-19P-2.54DSA (70)	759-0016-1-70		48.26		
GT9P-19P-2.54DSA (75)	759-0016-1-75	25	48.26	Flux prevention processing	
GT9P-19P-2.54DSA (71)	759-0016-1-71		48.26	Flux prevention processing, with locator, cost effective item	
GT9P-19P-2.54DSA (72)	759-0016-1-72		48.26	Flux prevention processing, with locator	
GT9P-25P-2.54DSA (70)	759-0010-5-70	25	63.50		
GT9P-25P-2.54DSA (75)	759-0010-5-75		63.50	Flux prevention processing	
GT9P-25P-2.54DSA (71)	759-0010-5-71		63.50	Flux prevention processing, with locator, cost effective item	
GT9P-25P-2.54DSA (72)	759-0010-5-72		63.50	Flux prevention processing, with locator	

Item	Material	Finish
Housing	PBT	Color: Black
Terminal	Brass	Tin plating

GT9 Series

Double-Row Type

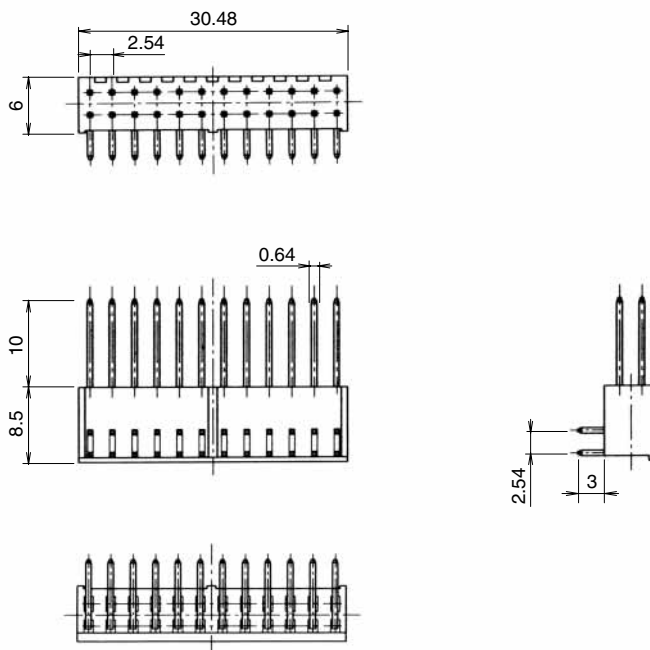
F Connectors



Part Number	CL No.	Number of positions	A dimension	Remarks	RoHS
GT9-24D-2.54DSA (70)	759-0003-0-70	24	30.48		YES
GT9-24D-2.54DSA (75)	759-0003-0-75	24	30.48	Flux prevention finish	
GT9-24D-2.54DSA (71)	759-0003-0-71	24	30.48	Color: Natural	
GT9-30D-2.54DSA (70)	759-0018-7-70	30	38.10		
GT9-30D-2.54DSA (75)	759-0018-7-75	30	38.10	Flux prevention finish	

Item	Material	Finish
Housing	PA	Color: Black Color: Natural
Terminal	Phosphor brass	Tin plating

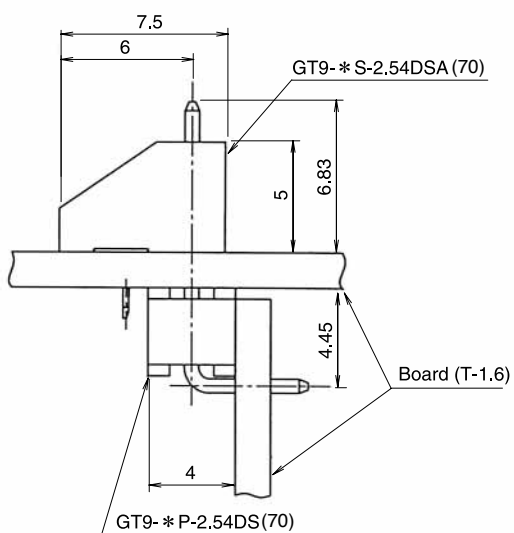
M Connectors



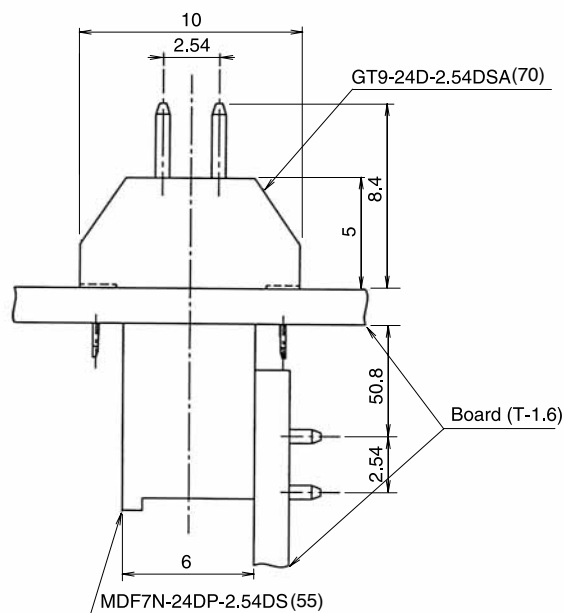
Part Number	CL No.	Item	Material	Finish	RoHS
MDF7N-24DP-2.54DS (55)	547-0226-8-55	Housing	PBT	Color: Black	YES
		Terminal	Brass	Tin plating	

◆ Mating Diagram

● Single-Row Type



● Double-Row Type



GT 5

GT 13

GT 16

PO5G

GT 11

GT 14

GT 17

GT 19

GT 3

GT 6W

GT 7

GT 10

GT 18W

GT 15

GT 8

GT 9

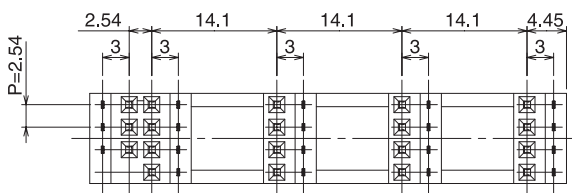
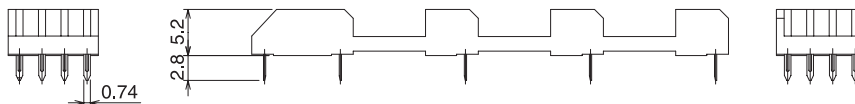
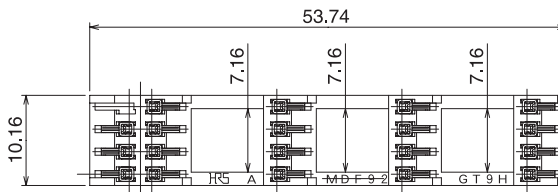
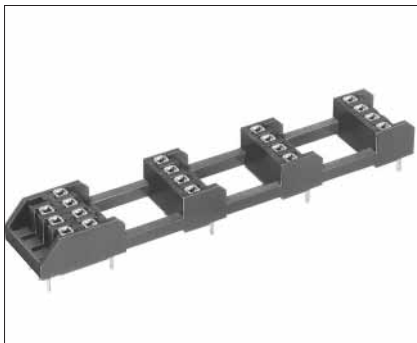
GT 25

Connections of the Various Units
and Device Interiors

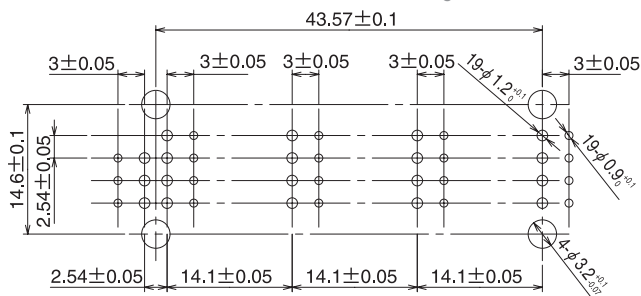
GT9 Series

5-Row Type

F Connectors



Recommended PCB Mounting Pattern



Part Number	CL No.	Item	Material	Finish	RoHS
GT9H-19S-2.54DSA (71)	759-0023-7-71	Housing	PBT	Color: Black	YES
		DSA Terminal	Phosphor bronze	Contact area: Gold plating Termination area: Tin plating	